



LOCAL AREA NETWORKS (LAN)



SERVERS



DATA CENTERS



TELECOM-MUNICATION DEVICES



E-BUSINESS (Servers Farms, ISP/ASP/POP)



INDUSTRIAL PROCESSES



INDUSTRIAL PLCs



ELECTRO-MEDICAL DEVICES



EMERGENCY DEVICES (Lights/Alarms)

**critical**  
POWER SUPPLIES

# Master Plus

## 100-800 kVA three-phase/three-phase



Master Plus 100-800 kVA



### ABSOLUTE PROTECTION

Master Plus is an on-line double conversion UPS (VFI SS 111 in accordance with IEC EN 62040-3) with a transformer isolated inverter. Master Plus has a compact foot print and high quality output to provide the ultimate power protection for "mission critical" applications: data processing, tele-communications, industrial processes, security and electro-medical systems.

### EASY SOURCE

Master Plus technology removes the problems of over sizing upstream power sources, whilst improving load power factors and current harmonics.

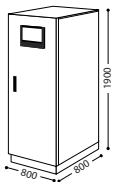
The UPS features the latest input current absorption techniques including progressive rectifier start-up and the option to reduce battery charging currents.

These features make Master Plus one of the most generator compatible and environmentally friendly UPS available.

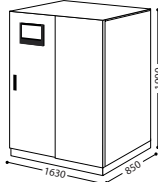
### BATTERY CARE SYSTEM: MAXIMUM LIFETIME POTENTIAL

#### Dimensions(mm)

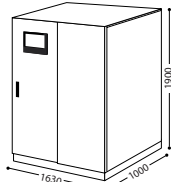
MP 100 - MP 120  
MP 160 - MP 200



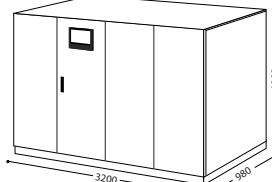
12 MP 300



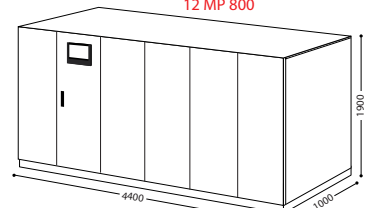
12 MP 400



12 MP 500 - 12 MP 600



12 MP 800



Traditionally, when a mains supply is present the UPS charges its batteries. Battery power is used for the inverter should the input supply fail. Efficient battery management and care is therefore essential to the overall performance of the UPS in an emergency.

The Master Plus Battery Care System consists of a range of features designed to provide optimum performance and enhanced operating life:

- Dual level charging regime to optimise recharge currents and lower recharge times
- Temperature compensation and deep discharge protection to reduce overall battery aging
- Charge blocking system to reduce electrolyte consumption and lengthen the life of VRLA batteries
- Predictive battery testing to spot potential battery deterioration and failure

Master Plus is also compatible with different battery technologies: open-vented lead acid and AGM and Gel VRLA, NiCd.

#### MAXIMUM RELIABILITY AND AVAILABILITY

Connect up to 8 units in parallel or N+1 redundancy, even of different power ratings. The UPS continue to operate in parallel even if one of the interconnecting communication cables is disconnected (closed loop).

#### OPTIONS

- UGS - UPS Group Synchroniser  
Allows 2 or more UPS not in parallel to remain synchronised even during a power failure. The UGS also enables a RIELLO UPS to be synchronised with an independent power source, even of a different power rating.
- PSJ - Parallel Systems Joiner - Connects two UPS groups operating in parallel configurations through a power coupling switch. The Slave UPS Group is permanently synchronised to the Master group. Should one of the UPS in one of the parallel groups fail, the PSJ will automatically connect the remaining UPS to the other group via an external bypass

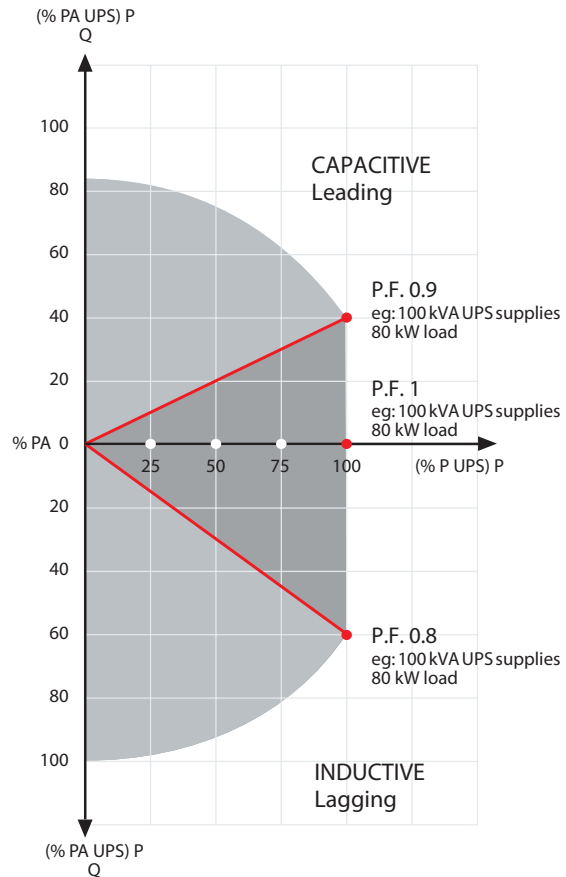
#### EASE OF INSTALLATION

Master Plus is compact with a foot print of only 0.64 m<sup>2</sup> for a 200kVA system. Front access to internal assemblies and top panel ventilation make space allocation within confined data processing or plant rooms easy. Master Plus can be placed against a wall as there is no requirement for rear or side panel access for maintenance or ventilation.



#### FLEXIBILITY

Master Plus is suitable for a wide range of applications including IT and the most demanding industrial environments. The UPS is suitable for power capacitive loads such as blade servers, without any reduction in active power, from 0.9 leading to 0.8 lagging. With a broad range of accessories and options, complex configurations and system architectures can be achieved to guarantee maximum power availability and the option to add new UPS without interruption to existing users. Using the Riello UPS Group Synchroniser (UGS) and Parallel Systems Joiner (PSJ) sophisticated inter group parallel and redundant systems can be achieved to provide the highest possible levels of resilience and availability.

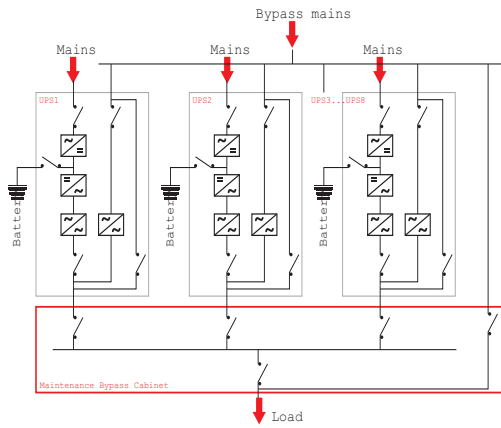


Master Plus 100-800 kVA

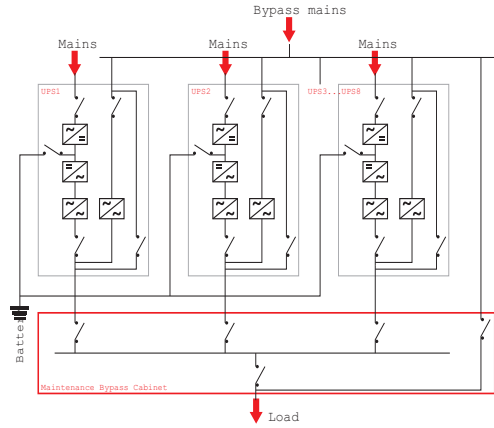
Master Plus 400 kVA



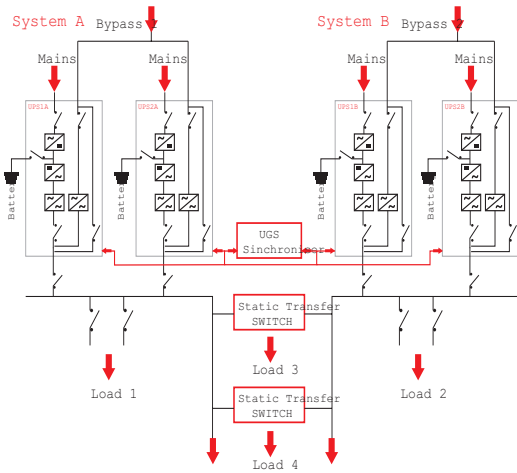
1. Parallel configuration of upto 8 units with separate batteries



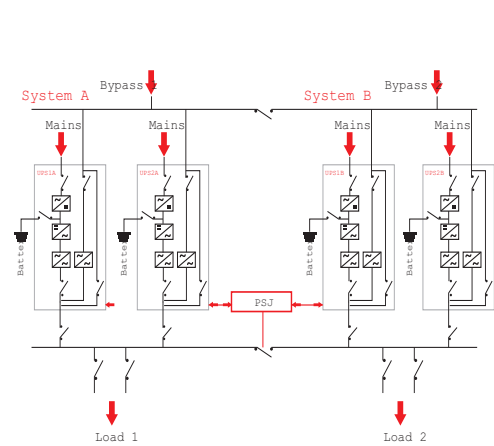
2. Parallel configuration of upto 8 units with common batteries



3. Dynamic dual bus configuration



4. Dual bus system configuration



MODELS	MP 100	MP 120	MP 160	MP 200
POWER (kVA)	100	120	160	200
INPUT				
Nominal voltage	380 - 400 - 415 Vac three-phase			
Voltage tolerance	400 V + 20% / - 25%			
Frequency	45 ÷ 65 Hz			
Soft start	0 ÷ 100% in 30" (selectable)			
Permitted frequency tolerance	± 2% (selectable from ± 1% to ± 5% from the front panel)			
Standard features	Back Feed protection; separable bypass line			
BATTERIES				
Type	Lead, flooded and VRLA AGM / GEL; NiCd			
AC ripple	< 1%			
Temperature compensation	-0.5 Vx°C			
Typical charging current	0.2 x C10			
OUTPUT				
Rated power (kVA)	100	120	160	200
Active power (kW)	80	96	128	160
Number of phases	3 + N			
Nominal voltage	380 - 400 - 415 Vac three-phase + N			
Static stability	± 1%			
Dynamic stability	± 5% in 10 ms			
Voltage distortion	< 1% with linear load / < 3% with no-linear load			
Crest factor (I <sub>peak</sub> /I <sub>rms</sub> )	3:1			
Frequency stability on battery mode	0.05%			
Frequency	50/60 Hz (selectable)			
Overload	110% for 60'; 125% for 10'; 150% for 1'			
ENVIRONMENTAL				
Weight (kg)	640	650	770	810
Dimensions (HxWxD) (mm)	1900 x 800 x 800			
Remote signalling	Voltage-free contacts			
Remote commands	EPO and bypass			
Communication	double RS232 + remote contacts + 2 communication interface slots			
Operating temperature	0°C ÷ +40°C			
Relative humidity	< 95% non condensing			
Colour	Light grey RAL 7035			
Noise	63 ÷ 68 dBA at 1 m			
Protection rating	IP20			
Efficiency Smart Mode	Up to 98%			
Compliance	European Directives: LV 2006/95/CE Low voltage directive EMC 2004/108/EC Electromagnetic compatibility directive Standards: Safety IEC EN 62040-1; EMC IEC EN 62040-2 C2 Classification according to IEC 62040-3 (Voltage Frequency Independent) VFI - SS - 111			

MODELS	12 MP 300	12 MP 400	12 MP 500	12 MP 600	12 MP 800
POWER (kVA)	300	400	500	600	800
INPUT					
Nominal voltage	380 - 400 - 415 Vac three-phase				
Voltage tolerance	400 V + 20% /- 25%		400 V ± 20%		
Frequency	45 ÷ 65 Hz				
Power factor	> 0.95 in HC version		> 0.93 in HC version		
Current distortion	< 3% in HC version				
Soft start	0 ÷ 100% in 30" (selectable)				
Permitted frequency tolerance	± 2% (selectable from ± 1% to ± 5% from the front panel)				
Standard features	Back Feed protection; separable bypass line				
BATTERIES					
Type	Lead, flooded and VRLA AGM / GEL; NiCd				
AC ripple	< 1%				
Temperature compensation	-0.5 Vx°C				
Typical charging current	0.2 x C10				
OUTPUT					
Rated power (kVA)	300	400	500	600	800
Active power (kW)	240	320	400	480	640
Number of phases	3 + N				
Nominal voltage	380 - 400 - 415 Vac three-phase + N				
Static stability	± 1%				
Dynamic stability	± 5% in 10 ms				
Voltage distortion	< 1% with linear load / < 3% with no-linear load				
Crest factor (Ipeak/Irms)	3:1				
Frequency stability on battery mode	0.05%				
Frequency	50 or 60 Hz (selectable)				
Overload	110% for 60'; 125% for 10'; 150% for 1'				
ENVIRONMENTAL					
Weight (kg)	2200	2600	3600	4000	5300
Dimensions (HxWxD) (mm)	1900 x 1630 x 850	1900 x 1630 x 1000	1900 x 3200 x 980		1900 x 4400 x 1000
Remote signalling	Voltage-free contacts				
Remote commands	EPO and bypass				
Communication	double RS232 + remote contacts + 2 communication interface slots				
Operating temperature	0°C ÷ +40°C				
Relative humidity	< 95% non condensing				
Colour	Light grey RAL 7035				
Noise	< 70 dBA at 1 m		< 77 dBA at 1 m		< 80 dBA at 1 m
Protection rating	IP20				
Efficiency Smart Mode	Up to 98%				
Compliance	European Directives: LV 2006/95/CE Low voltage directive EMC 2004/108/EC Electromagnetic compatibility directive Standards: Safety IEC EN 62040-1; EMC IEC EN 62040-2 C2 Classification according to IEC 62040-3 (Voltage Frequency Independent) VFI - SS - 111				

OPTIONS

- Isolation transformer module
- UPS Group Synchroniser (see UGS)
- Hot connection device (see PSJ)
- Interface for generator
- Closed Loop parallel kit option (to be ordered with the UPS)
- Empty or full battery cabinets for prolonged runtime



Master Plus 100-800 kVA

BATTERY BOX MODELS	BB 396-J8 BB 396-J9 BB 396-K1 BB 396-K2	BB 480-A0
MP MODELS	MP 100-200	MP 300-400
Dimensions (mm) h x w x d		

ISOLATION TRANSFORMER MODULE	TT 100 TT 120 TT 160	TT 200	TT 250 TT 300
MP MODELS	MP 100-160	MP 200	12 MP 300
Dimensions (mm) h x w x d			