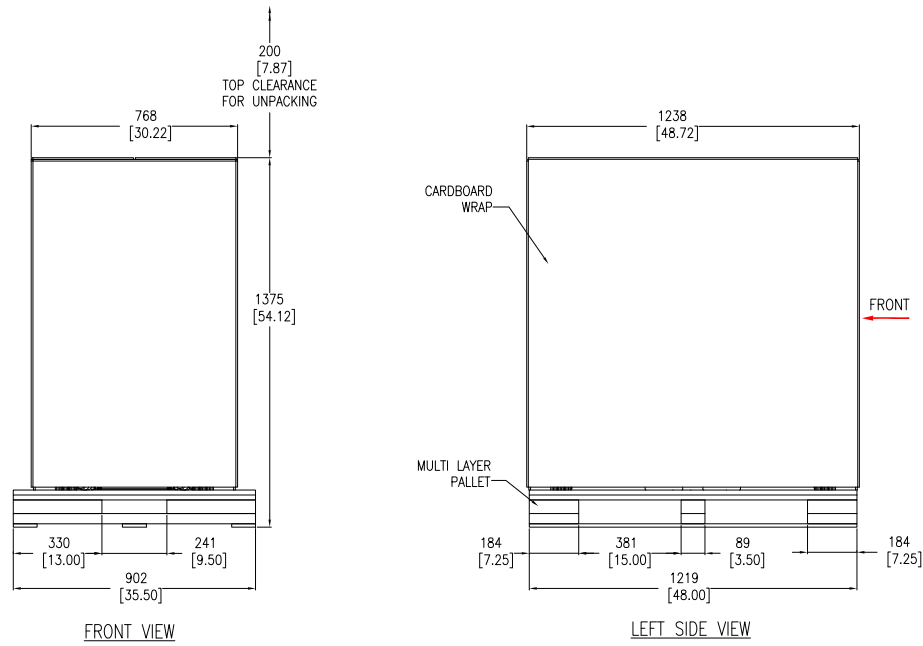
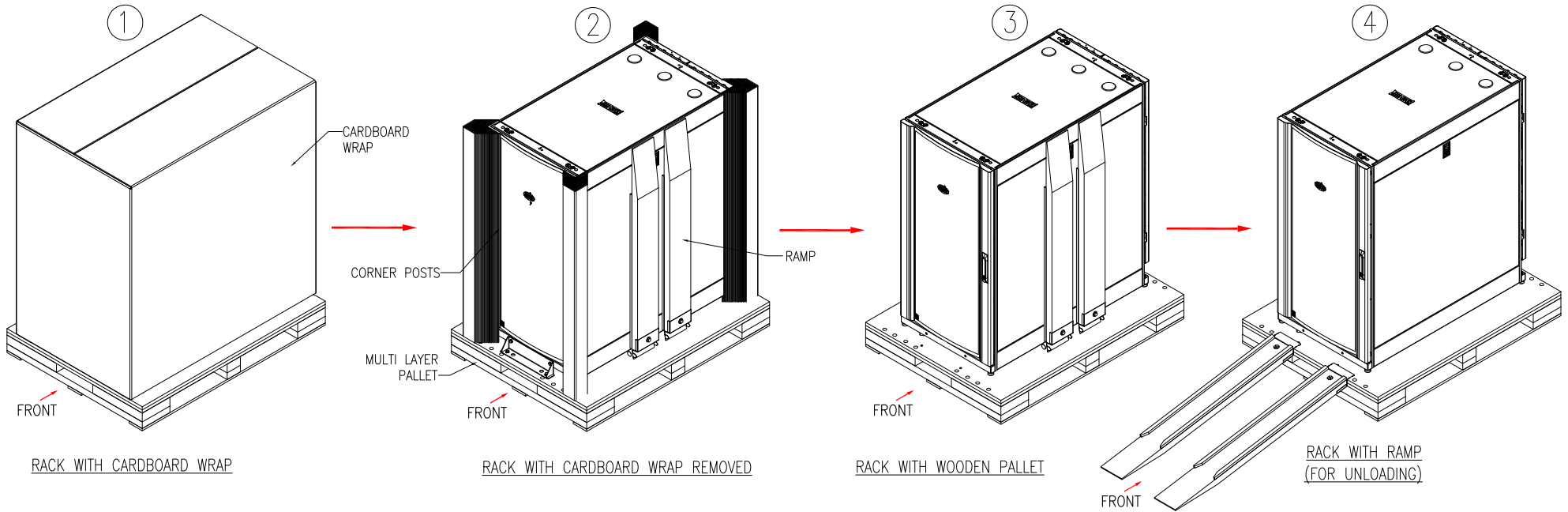


PACKING DETAILS



UNPACKING AND UNLOADING STEPS



NOTES:

1. INSTALLATION SHALL COMPLY WITH ALL APPLICABLE NATIONAL, STATE AND LOCAL ELECTRICAL REGULATIONS.
2. REFER TO PRODUCT DOCUMENTATION FOR ADDITIONAL DETAILS PRIOR TO INSTALLATION AND SITE PREPARATION WORK.
3. ALL DIMENSIONS ARE IN MILLIMETERS [INCHES].

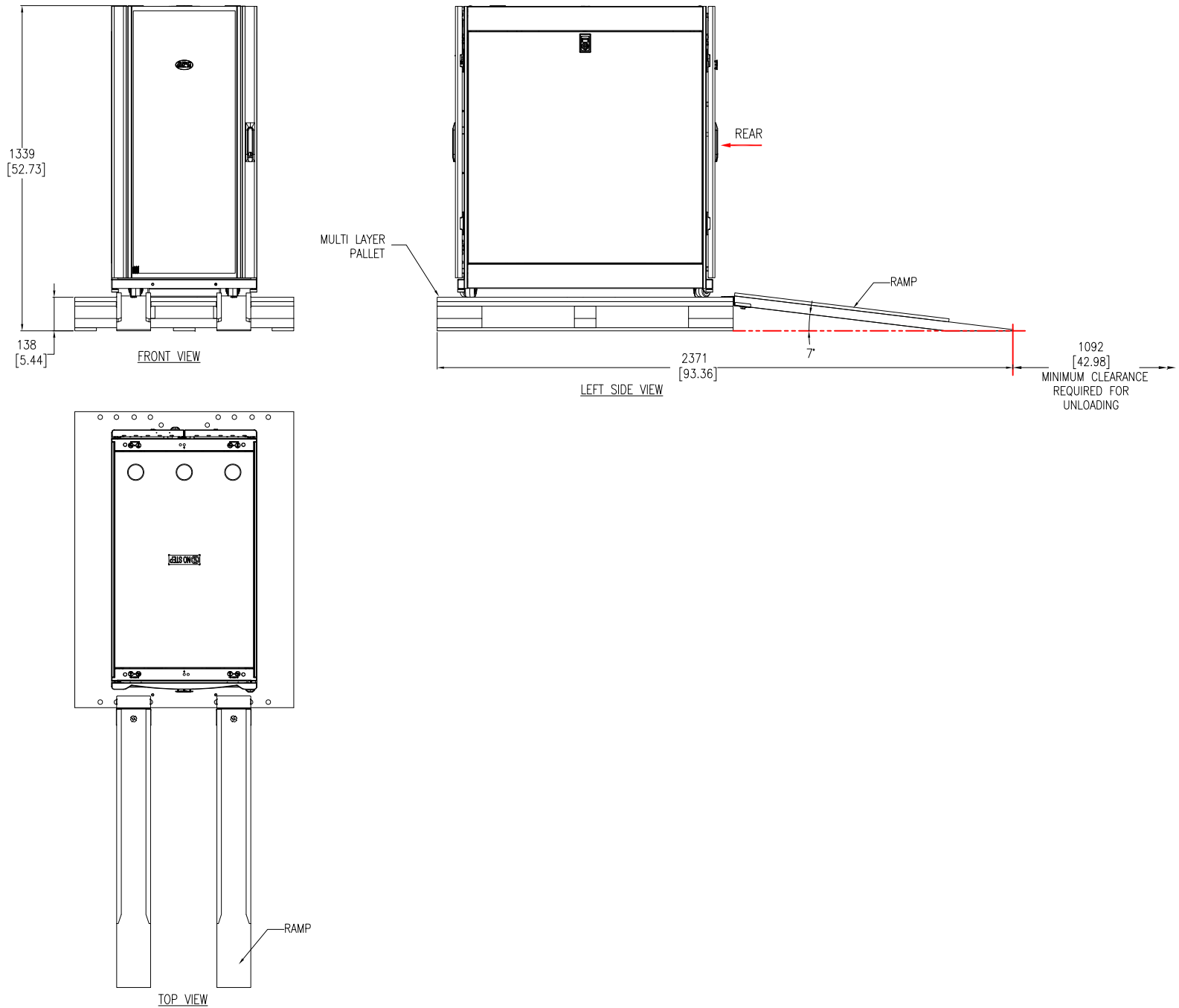
THIS DRAWING AND SPECIFICATIONS HEREIN ARE THE PROPERTY OF SCHNEIDER ELECTRIC AND SHALL NOT BE COPIED, REPRODUCED OR USED IN WHOLE OR IN PART, AS THE BASIS FOR THE MANUFACTURE OR SALE OF ITEMS WITHOUT WRITTEN PERMISSION FROM SCHNEIDER ELECTRIC. THIS DRAWING IS BASED UPON LATEST AVAILABLE INFORMATION AND IS SUBJECT TO CHANGE WITHOUT NOTICE.



TITLE: MICRO DC 24U SX 3kVA, 230V SHOCK PACKAGING & UNLOADING DETAILS
 PROJECT: SUBMITTAL DRAWINGS SHEET 1 OF 6

DWG NO: MDC24SX3KVAI
 DRAWN BY: JAYAPRAKASH 08-MAY-17
 ENGINEER: G IVEY 09-MAY-17
 APPROVED BY: T HORSTMANN 09-MAY-17

REV. FIRST ANGLE PROJECTION



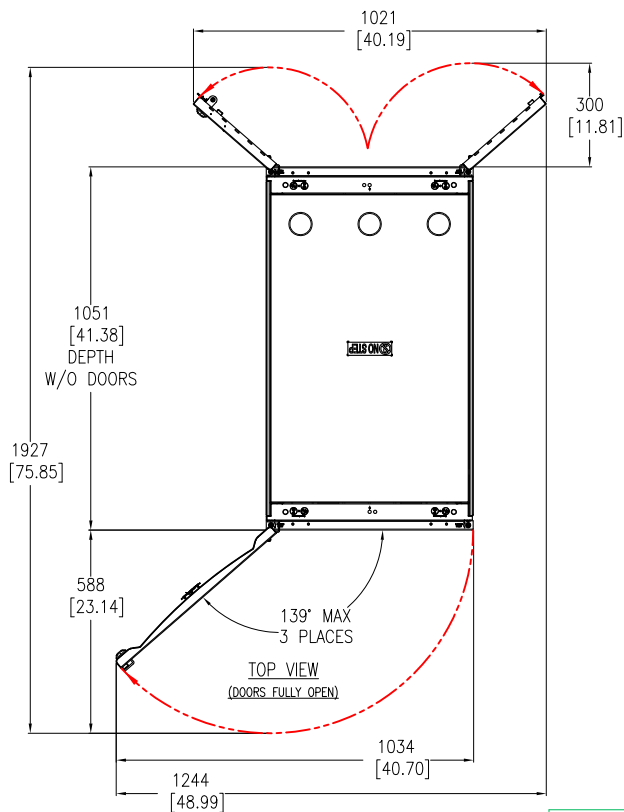
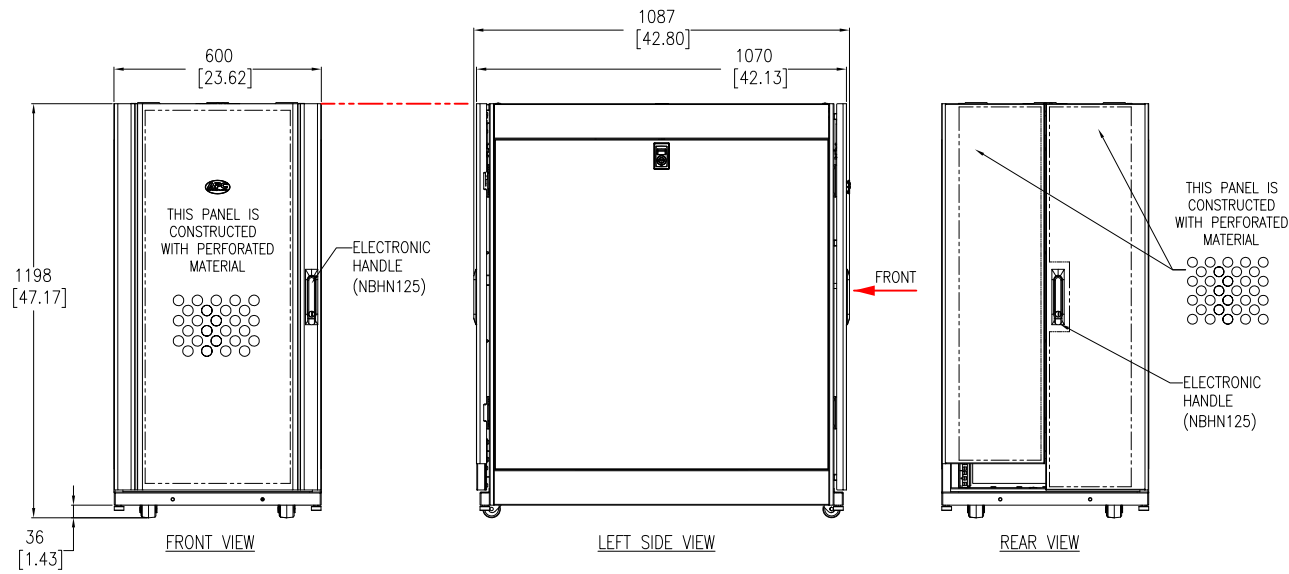
NOTES:

1. INSTALLATION SHALL COMPLY WITH ALL APPLICABLE NATIONAL, STATE AND LOCAL ELECTRICAL REGULATIONS.
2. REFER TO PRODUCT DOCUMENTATION FOR ADDITIONAL DETAILS PRIOR TO INSTALLATION AND SITE PREPARATION WORK.
3. ALL DIMENSIONS ARE IN MILLIMETERS [INCHES].

THIS DRAWING AND SPECIFICATIONS HEREIN ARE THE PROPERTY OF SCHNEIDER ELECTRIC AND SHALL NOT BE COPIED, REPRODUCED OR USED IN WHOLE OR IN PART, AS THE BASIS FOR THE MANUFACTURE OR SALE OF ITEMS WITHOUT WRITTEN PERMISSION FROM SCHNEIDER ELECTRIC. THIS DRAWING IS BASED UPON LATEST AVAILABLE INFORMATION AND IS SUBJECT TO CHANGE WITHOUT NOTICE.



TITLE: MICRO DC 24U SX 3kVA, 230V UNLOADING DETAILS		DWG NO: MDC24SX3KVAI	REV.
PROJECT: SUBMITTAL DRAWINGS		DRAWN BY: JAYAPRAKASH	08-MAY-17
SHEET 2 OF 6		ENGINEER: G IVEY	09-MAY-17
		APPROVED BY: T HORSTMANN	09-MAY-17
			FIRST ANGLE PROJECTION



Sl.No	Part Number	Description	Quantity	Configuration
1	NBHN125	NetBotz 125 kHz Handle Kit	1	Installed
2	NBRK0250	NetBotz Rack Monitor 250	1	Installed
3	NBES0303	NetBotz Door Switch Sensors (2) for an APC Rack - 12 ft.	1	Installed
4	AR8136BLK	APC 1U 19" Black Modular Toolless Blanking Panel - Qty 10	1	Accessory Box
5	AR8429	Horizontal Cable Organizer 1U w/brush strip	1	Installed
6	AP8706S-WW	Power Cord Kit (6 ea), Locking, C13 to C14, 1.8m	1	Accessory Box
7	AP8714S	Power Cord Kit (6 ea), Locking, C19 to C20, 1.2m	1	Accessory Box
8	AP8958	Rack PDU 2G, Switched, ZeroU, 16A, 100-240V, (7) C13 & (1) C19	2	Installed
9	AR3104SP1	NetShelter SX 24U 600mm Wide x 1070mm Deep Enclosure - 1250 lbs. Shock Packaging	1	Installed
10	SRT3000RMXLI-NC	APC Smart-UPS SRT 3000VA RM 230V Network Card	2	Installed

NOTES:

1. INSTALLATION SHALL COMPLY WITH ALL APPLICABLE NATIONAL, STATE AND LOCAL ELECTRICAL REGULATIONS.
2. REFER TO PRODUCT DOCUMENTATION FOR ADDITIONAL DETAILS PRIOR TO INSTALLATION AND SITE PREPARATION WORK.
3. ALL DIMENSIONS ARE IN MILLIMETERS [INCHES].
4. NET WEIGHT OF UNIT WITHOUT UPS AND ACCESSORIES IS 89.09Kg [196 lb].
5. CABLE ENTRY IS TOP OR BOTTOM OF THE UNIT.
6. FRONT AND REAR SERVICE ACCESS REQUIRED.
7. AIR FLOW AND SERVICE REQUIREMENTS, AS WELL AS MINIMUM CLEARANCE TO FIRE SUPPRESSION SYSTEMS SHOULD BE CONSIDERED WHEN LOCATING THE ENCLOSURE.

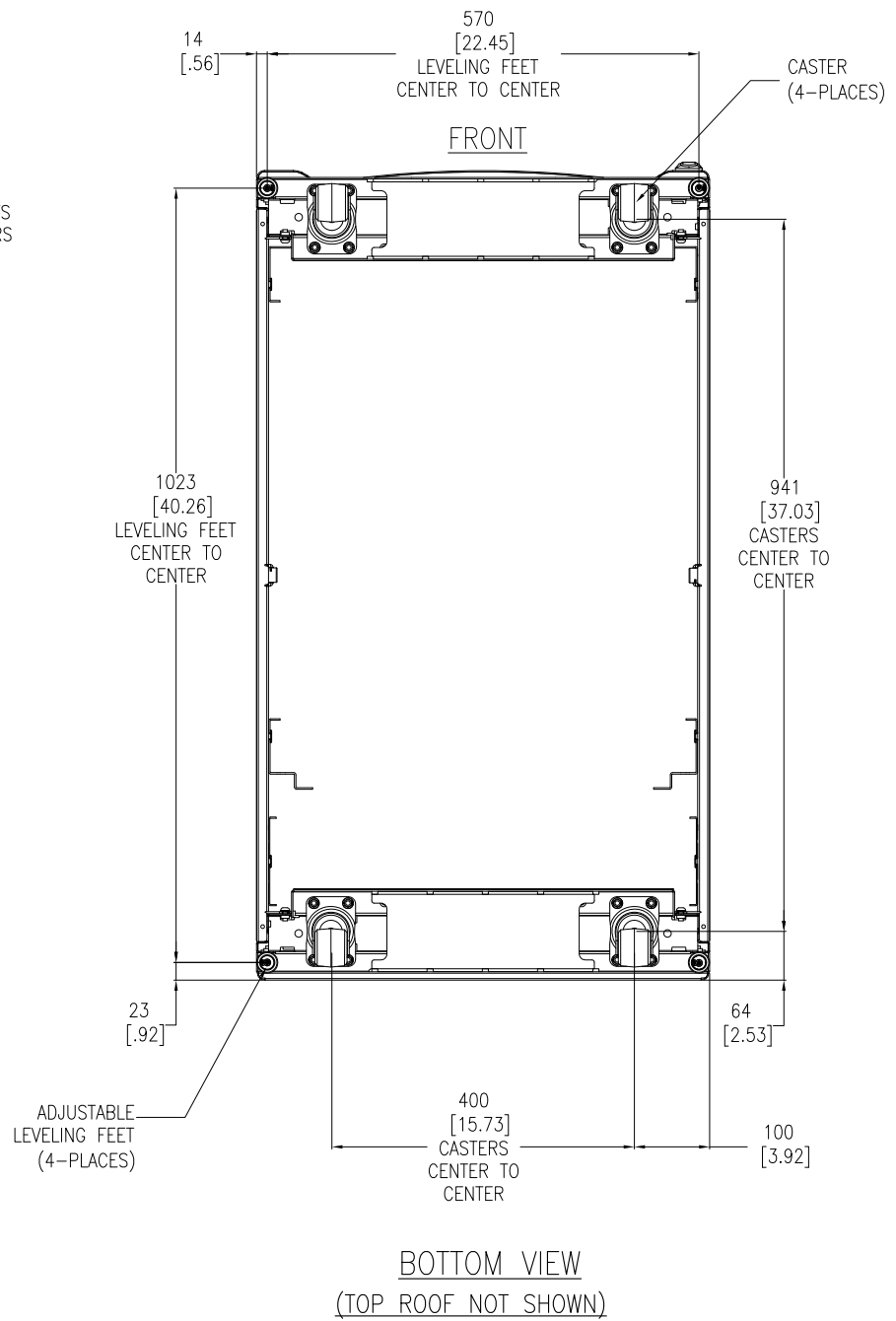
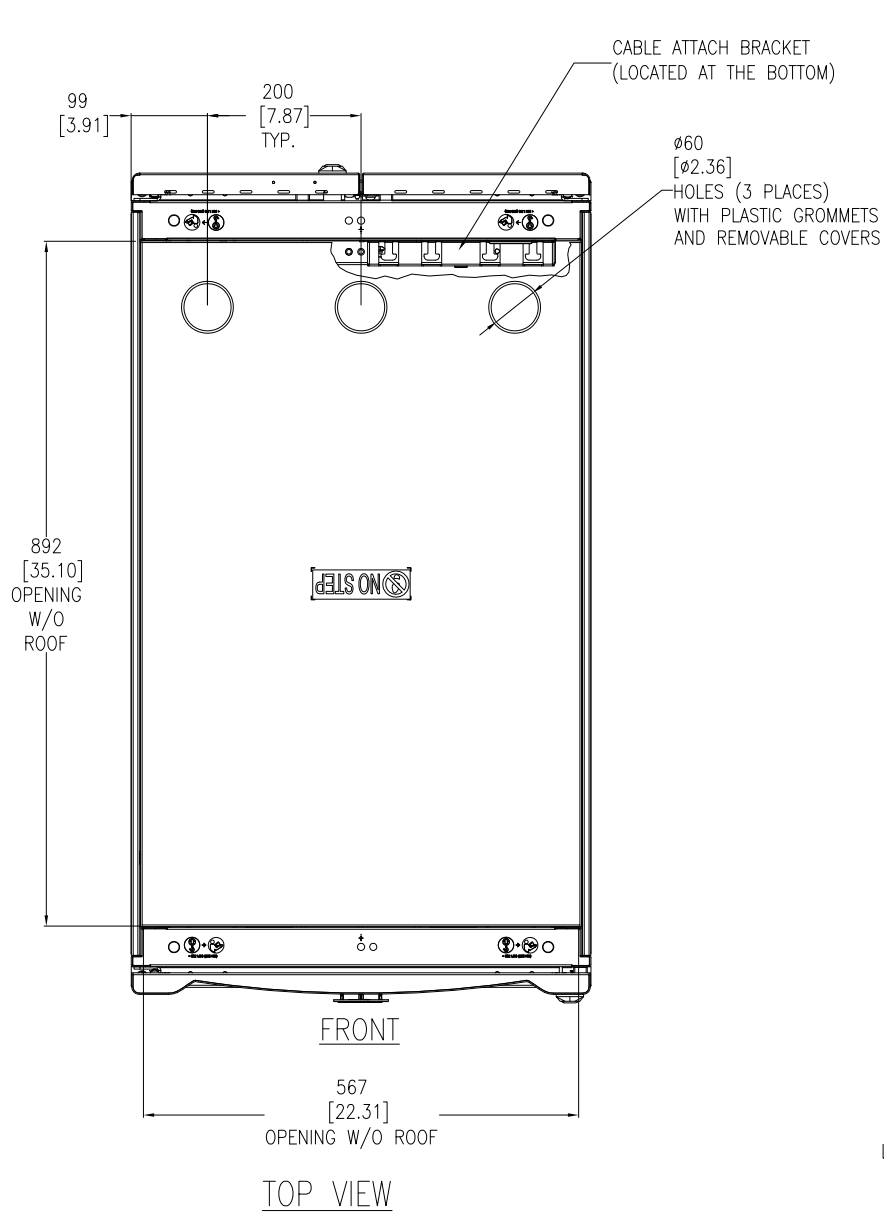
THIS DRAWING AND SPECIFICATIONS HEREIN ARE THE PROPERTY OF SCHNEIDER ELECTRIC AND SHALL NOT BE COPIED, REPRODUCED OR USED IN WHOLE OR IN PART, AS THE BASIS FOR THE MANUFACTURE OR SALE OF ITEMS WITHOUT WRITTEN PERMISSION FROM SCHNEIDER ELECTRIC. THIS DRAWING IS BASED UPON LATEST AVAILABLE INFORMATION AND IS SUBJECT TO CHANGE WITHOUT NOTICE.

Schneider Electric

TITLE: MICRO DC 24U SX 3kVA, 230V GENERAL ARRANGEMENT
PROJECT: SUBMITTAL DRAWINGS SHEET 3 OF 6

DWG NO: MDC24SX3KVAI
DRAWN BY: JAYAPRAKASH 08-MAY-17
ENGINEER: G IVEY 09-MAY-17
APPROVED BY: T HORSTMANN 09-MAY-17

REV. FIRST ANGLE PROJECTION



NOTES:

1. INSTALLATION SHALL COMPLY WITH ALL APPLICABLE NATIONAL, STATE AND LOCAL ELECTRICAL REGULATIONS.
2. REFER TO PRODUCT DOCUMENTATION FOR ADDITIONAL DETAILS PRIOR TO INSTALLATION AND SITE PREPARATION WORK.
3. ALL DIMENSIONS ARE IN MILLIMETERS [INCHES].

THIS DRAWING AND SPECIFICATIONS HEREIN ARE THE PROPERTY OF SCHNEIDER ELECTRIC AND SHALL NOT BE COPIED, REPRODUCED OR USED IN WHOLE OR IN PART, AS THE BASIS FOR THE MANUFACTURE OR SALE OF ITEMS WITHOUT WRITTEN PERMISSION FROM SCHNEIDER ELECTRIC. THIS DRAWING IS BASED UPON LATEST AVAILABLE INFORMATION AND IS SUBJECT TO CHANGE WITHOUT NOTICE.

Schneider Electric

TITLE: MICRO DC 24U SX
3kVA, 230V
TOP & BOTTOM VIEWS

DWG NO: MDC24SX3KVAI

DRAWN BY: JAYAPRAKASH 08-MAY-17

ENGINEER: G IVEY 09-MAY-17

PROJECT: SUBMITTAL DRAWINGS SHEET 4 OF 6

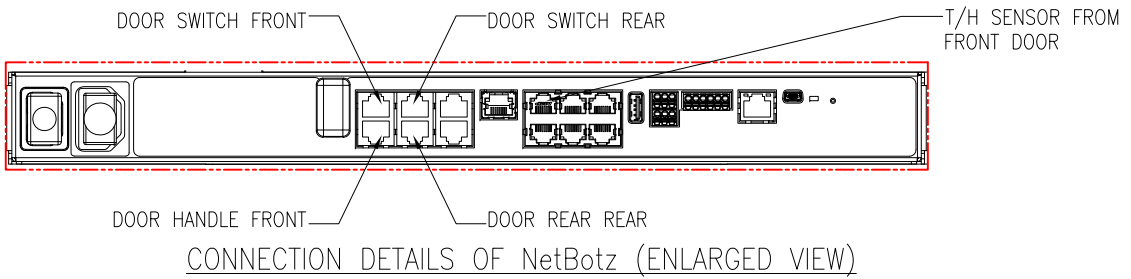
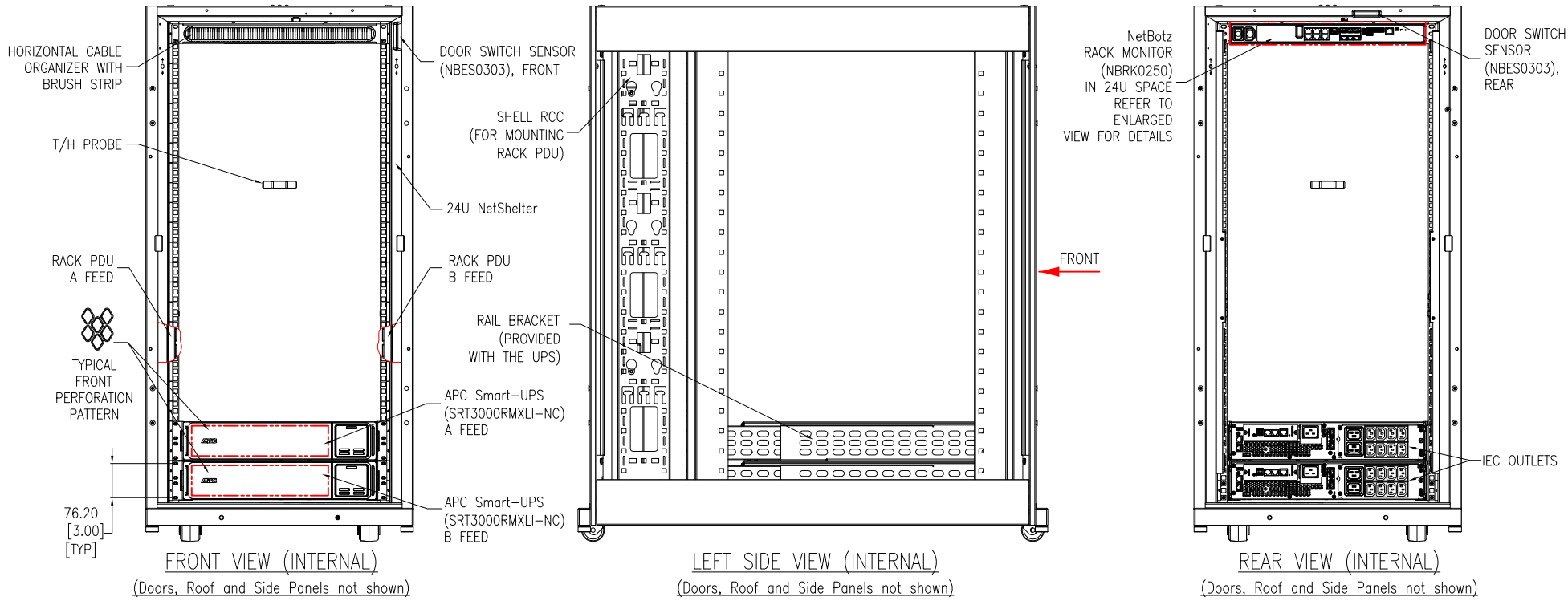
APPROVED BY: T HORSTMANN 09-MAY-17

REV.

FIRST

ANGLE

PROJECTION

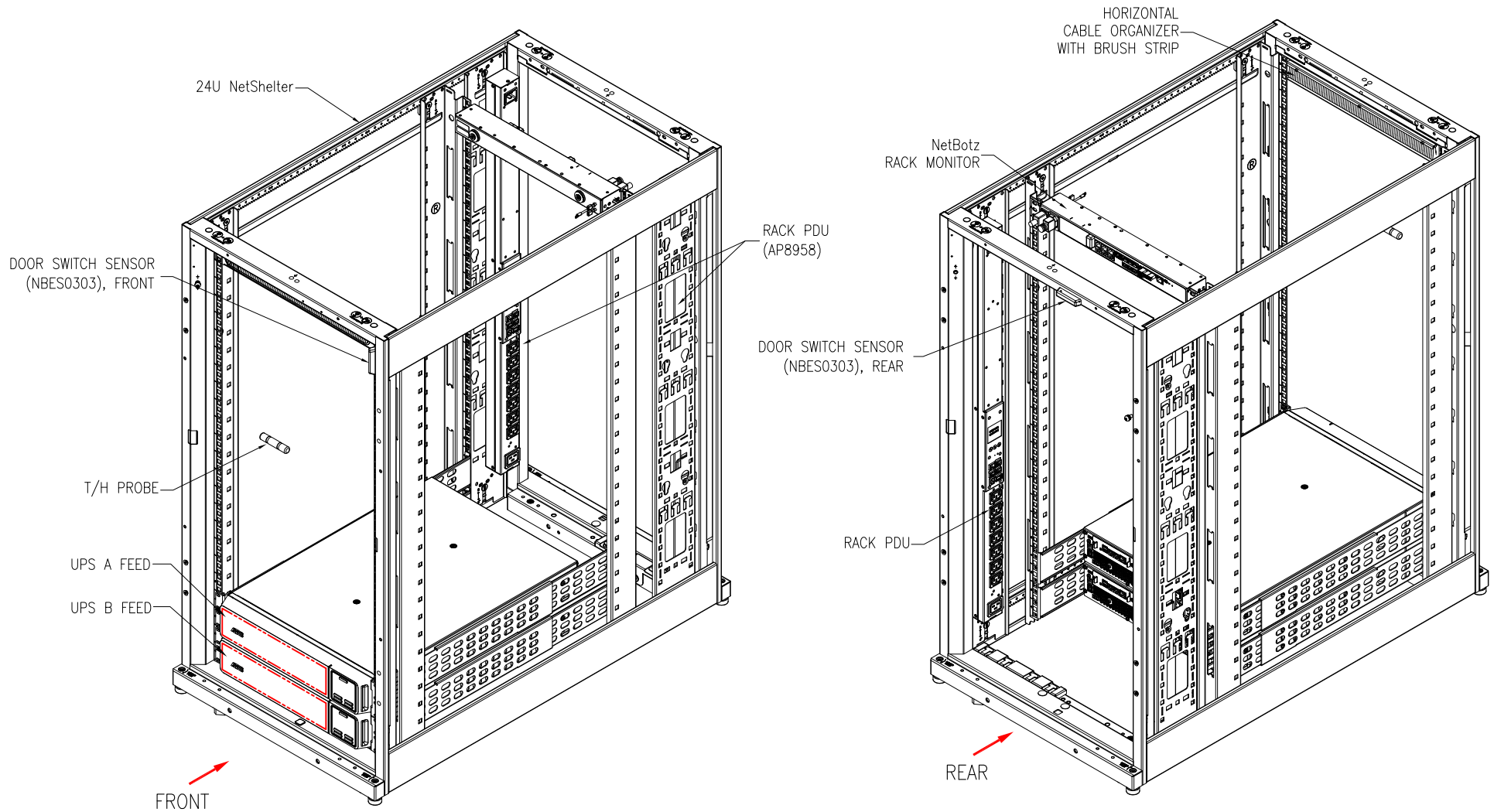


- NOTES:**
1. INSTALLATION SHALL COMPLY WITH ALL APPLICABLE NATIONAL, STATE AND LOCAL ELECTRICAL REGULATIONS.
 2. REFER TO PRODUCT DOCUMENTATION FOR ADDITIONAL DETAILS PRIOR TO INSTALLATION AND SITE PREPARATION WORK.
 3. ALL DIMENSIONS ARE IN MILLIMETERS [INCHES].

THIS DRAWING AND SPECIFICATIONS HEREIN ARE THE PROPERTY OF SCHNEIDER ELECTRIC AND SHALL NOT BE COPIED, REPRODUCED OR USED IN WHOLE OR IN PART, AS THE BASIS FOR THE MANUFACTURE OR SALE OF ITEMS WITHOUT WRITTEN PERMISSION FROM SCHNEIDER ELECTRIC. THIS DRAWING IS BASED UPON LATEST AVAILABLE INFORMATION AND IS SUBJECT TO CHANGE WITHOUT NOTICE.



TITLE:	MICRO DC 24U SX 3kVA, 230V TYPICAL ARRANGEMENT-INTERNAL VIEW	DWG NO:	MDC24SX3KVAI	REV.	
PROJECT:	SUBMITTAL DRAWINGS	DRAWN BY:	JAYAPRAKASH	08-MAY-17	FIRST ANGLE
	SHEET 5 OF 6	ENGINEER:	G IVEY	09-MAY-17	PROJECTION
		APPROVED BY:	T HORSTMANN	09-MAY-17	



ISOMETRIC VIEW (INTERNAL)

NOTES:

1. INSTALLATION SHALL COMPLY WITH ALL APPLICABLE NATIONAL, STATE AND LOCAL ELECTRICAL REGULATIONS.
2. REFER TO PRODUCT DOCUMENTATION FOR ADDITIONAL DETAILS PRIOR TO INSTALLATION AND SITE PREPARATION WORK.

THIS DRAWING AND SPECIFICATIONS HEREIN ARE THE PROPERTY OF SCHNEIDER ELECTRIC AND SHALL NOT BE COPIED, REPRODUCED OR USED IN WHOLE OR IN PART, AS THE BASIS FOR THE MANUFACTURE OR SALE OF ITEMS WITHOUT WRITTEN PERMISSION FROM SCHNEIDER ELECTRIC. THIS DRAWING IS BASED UPON LATEST AVAILABLE INFORMATION AND IS SUBJECT TO CHANGE WITHOUT NOTICE.



TITLE: MICRO DC 24U SX
3kVA, 230V
TYPICAL ARRANGEMENT ISOMETRIC VIEW

DWG NO: MDC24SX3KVAI

REV.

DRAWN BY: JAYAPRAKASH 08-MAY-17

FIRST

ENGINEER: G IVEY 09-MAY-17

ANGLE

PROJECT: SUBMITTAL DRAWINGS SHEET 6 OF 6

APPROVED BY: T HORSTMANN 09-MAY-17

PROJECTION