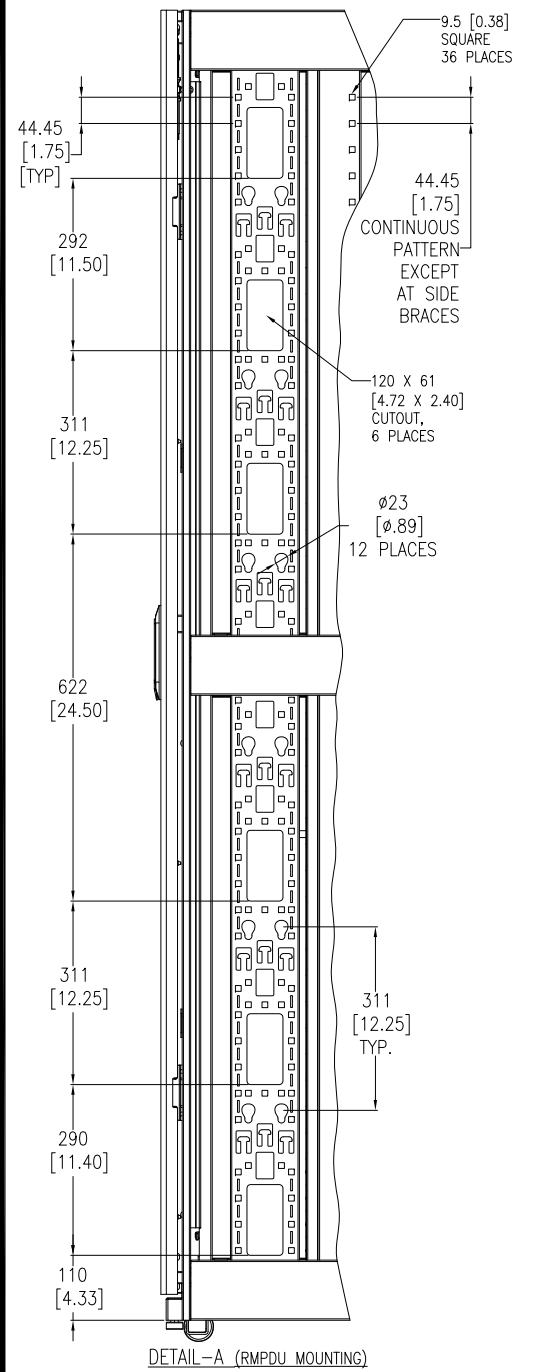


- NOTES:**
1. INSTALLATION SHALL COMPLY WITH ALL APPLICABLE NATIONAL, STATE AND LOCAL ELECTRICAL REGULATIONS.
  2. REFER TO PRODUCT DOCUMENTATION FOR ADDITIONAL DETAILS PRIOR TO INSTALLATION AND SITE PREPARATION WORK.
  3. ALL DIMENSIONS ARE IN MILLIMETERS [INCHES].
  4. NET WEIGHT OF UNIT IS 138.23Kg [304.1 lb].
  5. CABLE ENTRY IS TOP OR BOTTOM OF THE UNIT.
  6. FRONT AND REAR SERVICE ACCESS REQUIRED.
  7. AIR FLOW AND SERVICE REQUIREMENTS, AS WELL AS MINIMUM CLEARANCE TO FIRE SUPPRESSION SYSTEMS SHOULD BE CONSIDERED WHEN LOCATING THE ENCLOSURE.



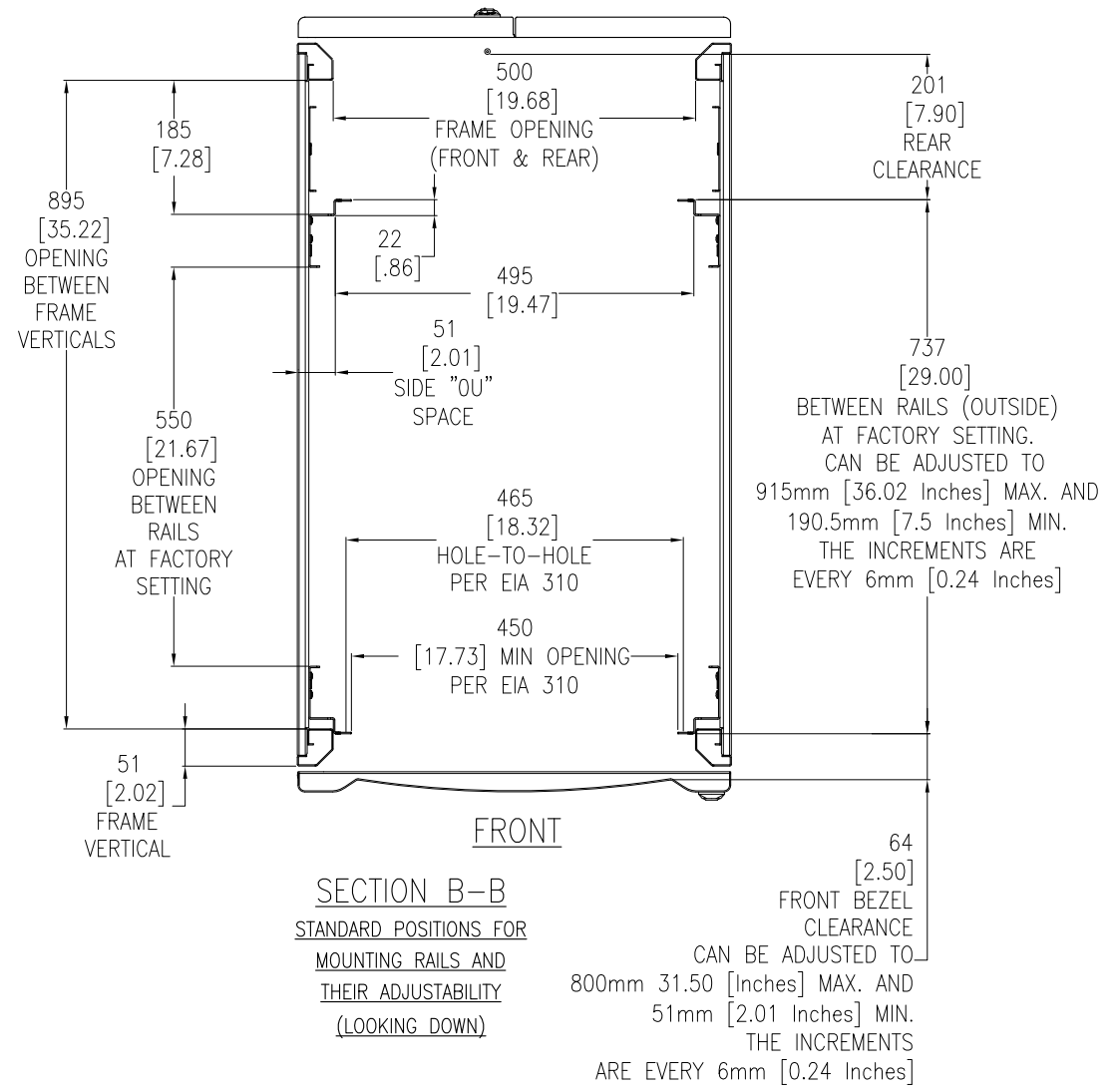
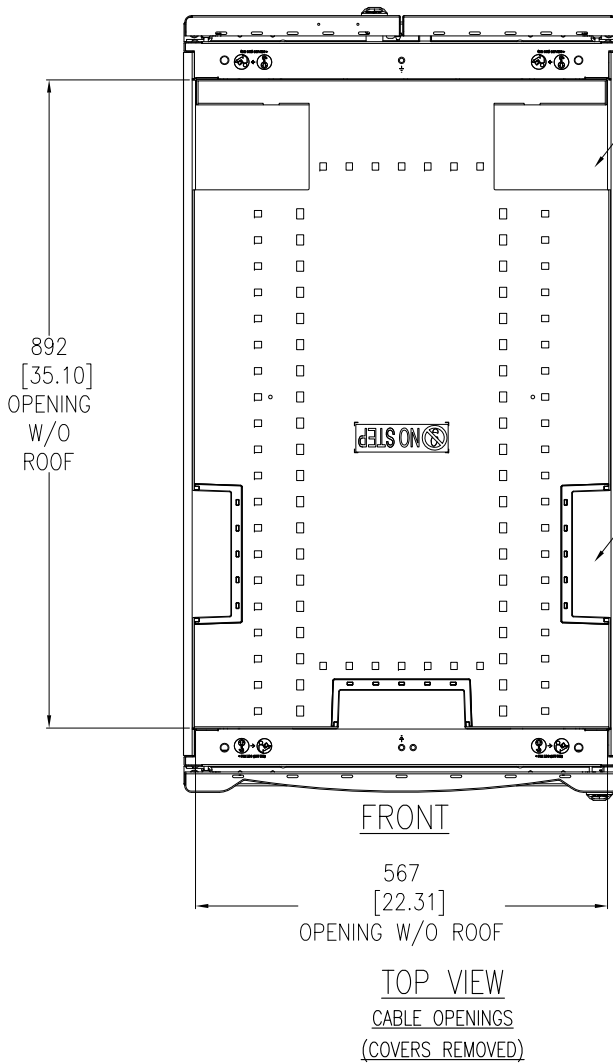
THIS DRAWING AND SPECIFICATIONS HEREIN ARE THE PROPERTY OF SCHNEIDER ELECTRIC AND SHALL NOT BE COPIED, REPRODUCED OR USED IN WHOLE OR IN PART, AS THE BASIS FOR THE MANUFACTURE OR SALE OF ITEMS WITHOUT WRITTEN PERMISSION FROM SCHNEIDER ELECTRIC. THIS DRAWING IS BASED UPON LATEST AVAILABLE INFORMATION AND IS SUBJECT TO CHANGE WITHOUT NOTICE.



TITLE: NetShelter SX 48U  
600mm WIDE x 1070mm DEEP  
ENCLOSURE WITH SIDES  
MAIN MECHANICAL

PROJECT: SUBMITTAL DRAWINGS SHEET 1 OF 3

DWG NO:	AR3107	REV.	2
DRAWN BY:	JAYAPRAKASH	15-JUN-17	FIRST ANGLE PROJECTION
ENGINEER:	JIE ZHU	15-JUN-17	
APPROVED BY:	GREG IVEY	15-JUN-17	



- NOTES:**
1. INSTALLATION SHALL COMPLY WITH ALL APPLICABLE NATIONAL, STATE AND LOCAL ELECTRICAL REGULATIONS.
  2. REFER TO PRODUCT DOCUMENTATION FOR ADDITIONAL DETAILS PRIOR TO INSTALLATION AND SITE PREPARATION WORK.
  3. ALL DIMENSIONS ARE IN MILLIMETERS [INCHES].

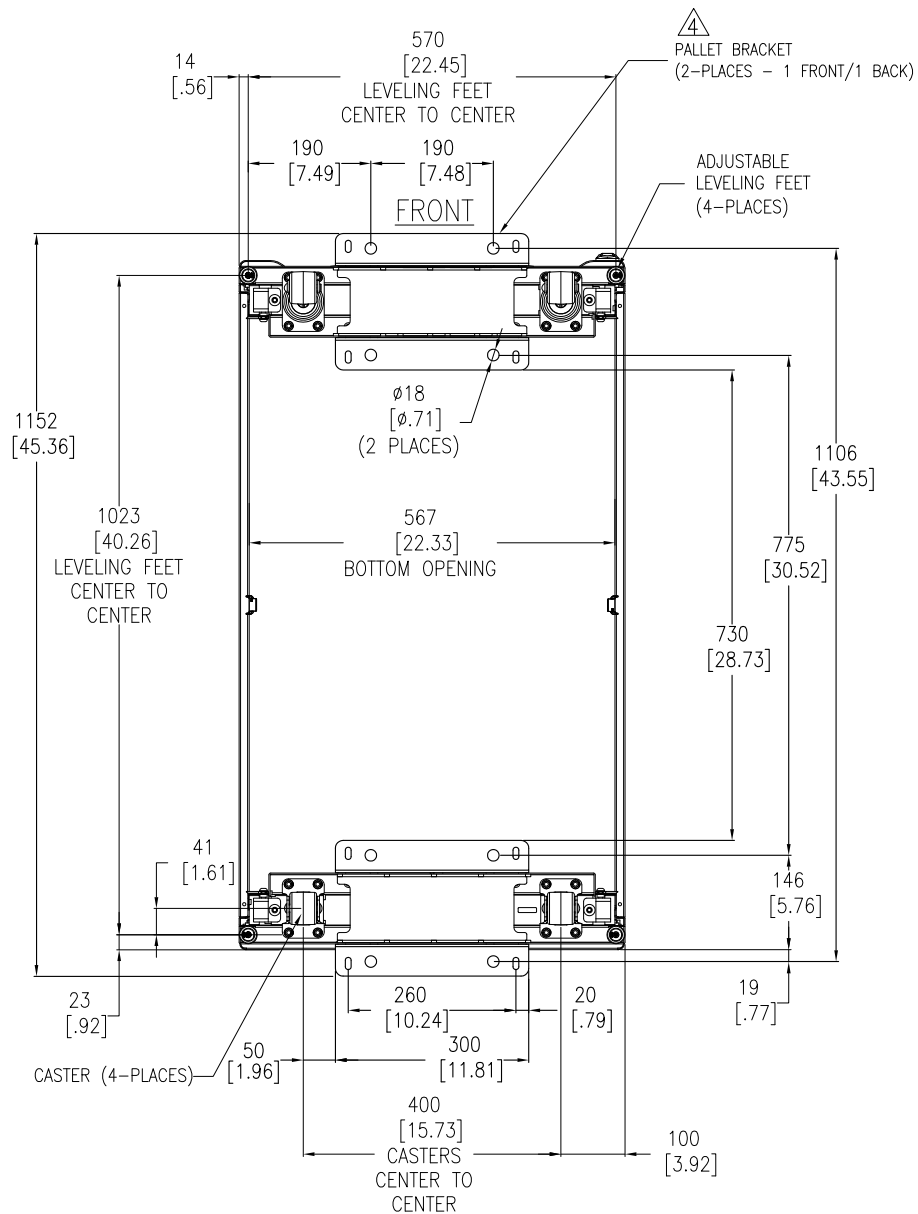
THIS DRAWING AND SPECIFICATIONS HEREIN ARE THE PROPERTY OF SCHNEIDER ELECTRIC AND SHALL NOT BE COPIED, REPRODUCED OR USED IN WHOLE OR IN PART, AS THE BASIS FOR THE MANUFACTURE OR SALE OF ITEMS WITHOUT WRITTEN PERMISSION FROM SCHNEIDER ELECTRIC. THIS DRAWING IS BASED UPON LATEST AVAILABLE INFORMATION AND IS SUBJECT TO CHANGE WITHOUT NOTICE.



TITLE: NetShelter SX 48U  
600mm WIDE x 1070mm DEEP  
ENCLOSURE WITH SIDES  
TOP VIEWS

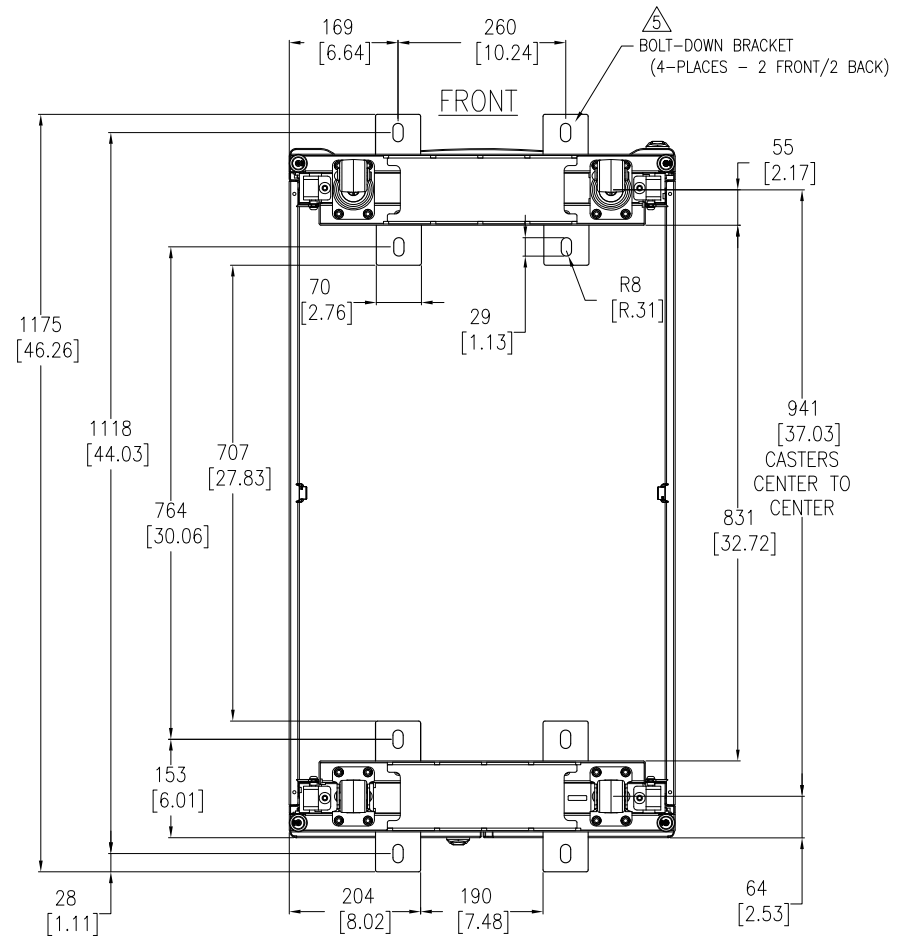
PROJECT: SUBMITTAL DRAWINGS SHEET 2 OF 3

DWG NO:	AR3107	REV:	4
DRAWN BY:	JAYAPRAKASH	15-JUN-17	FIRST ANGLE
ENGINEER:	JIE ZHU	15-JUN-17	PROJECTION
APPROVED BY:	GREG IVEY	15-JUN-17	



**BOTTOM VIEW**

(WITH PALLET BRACKETS, CAN BE USED FOR ANCHORING)  
 TOP ROOF NOT SHOWN



**BOTTOM VIEW**

(WITH OPTIONAL BOLT-DOWN BRACKETS FOR ANCHORING)  
 TOP ROOF NOT SHOWN

**NOTES:**

1. INSTALLATION SHALL COMPLY WITH ALL APPLICABLE NATIONAL, STATE AND LOCAL ELECTRICAL REGULATIONS.
2. REFER TO PRODUCT DOCUMENTATION FOR ADDITIONAL DETAILS PRIOR TO INSTALLATION AND SITE PREPARATION WORK.
3. ALL DIMENSIONS ARE IN MILLIMETERS [INCHES].
- △4. ANCHORING CAN BE INSTALLED EITHER INSIDE OR OUTSIDE THE NetShelter WITH ONE AT FRONT AND ONE IN BACK.
- △5. BOLT-DOWN KIT (SKU# AR7701) IS OPTIONAL AND HAS TO BE ORDERED SEPARATELY.

THIS DRAWING AND SPECIFICATIONS HEREIN ARE THE PROPERTY OF SCHNEIDER ELECTRIC AND SHALL NOT BE COPIED, REPRODUCED OR USED IN WHOLE OR IN PART, AS THE BASIS FOR THE MANUFACTURE OR SALE OF ITEMS WITHOUT WRITTEN PERMISSION FROM SCHNEIDER ELECTRIC. THIS DRAWING IS BASED UPON LATEST AVAILABLE INFORMATION AND IS SUBJECT TO CHANGE WITHOUT NOTICE.



TITLE: NetShelter SX 48U  
 600mm WIDE x 1070mm DEEP  
 ENCLOSURE WITH SIDES  
 BOTTOM VIEWS

PROJECT: SUBMITTAL DRAWINGS SHEET 3 OF 3

DWG NO:	AR3107	REV:	5
DRAWN BY:	JAYAPRAKASH	15-JUN-17	FIRST ANGLE
ENGINEER:	JIE ZHU	15-JUN-17	PROJECTION
APPROVED BY:	GREG IVEY	15-JUN-17	